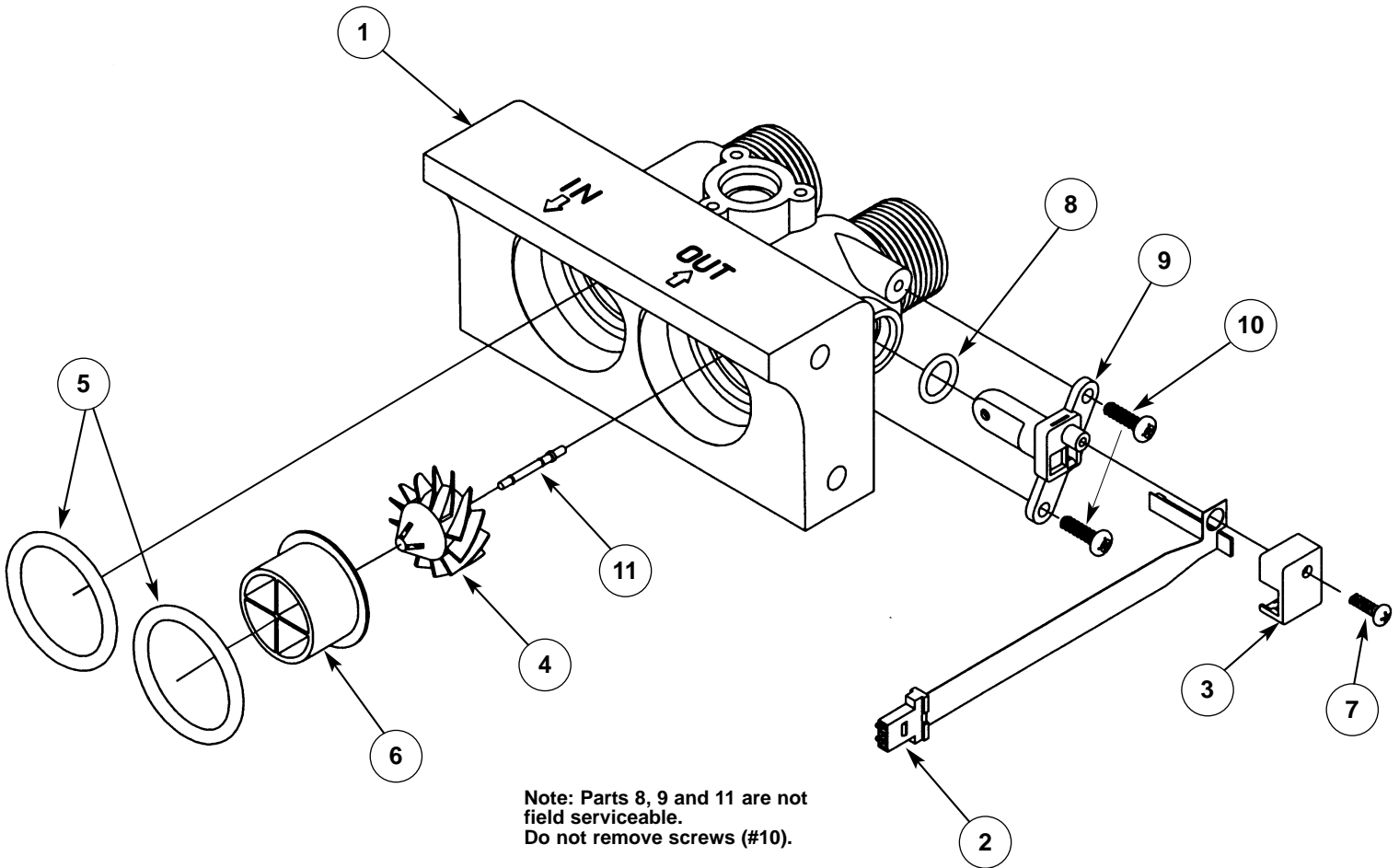


Figure 15 - I/O Adapter Assembly



PART#	DESCRIPTION	QUANTITY
1 54131	3/4" IO Adapter	1
2 93858	Turbine Sensor Assembly	1
3 90232	Turbine Sensor Cap	1
4 90522	Turbine Assembly	1
5 93838	"O" Ring	2
6 93229	Flow Director	1
7 90809	Sensor Cap Screw	1
8 90828	Test Port / Sensor Housing O-ring	1
9 93271	Turbine Sensor Housing	1
10 90802	Turbine Sensor Housing Screw	2
11 90245	Turbine Axle	1